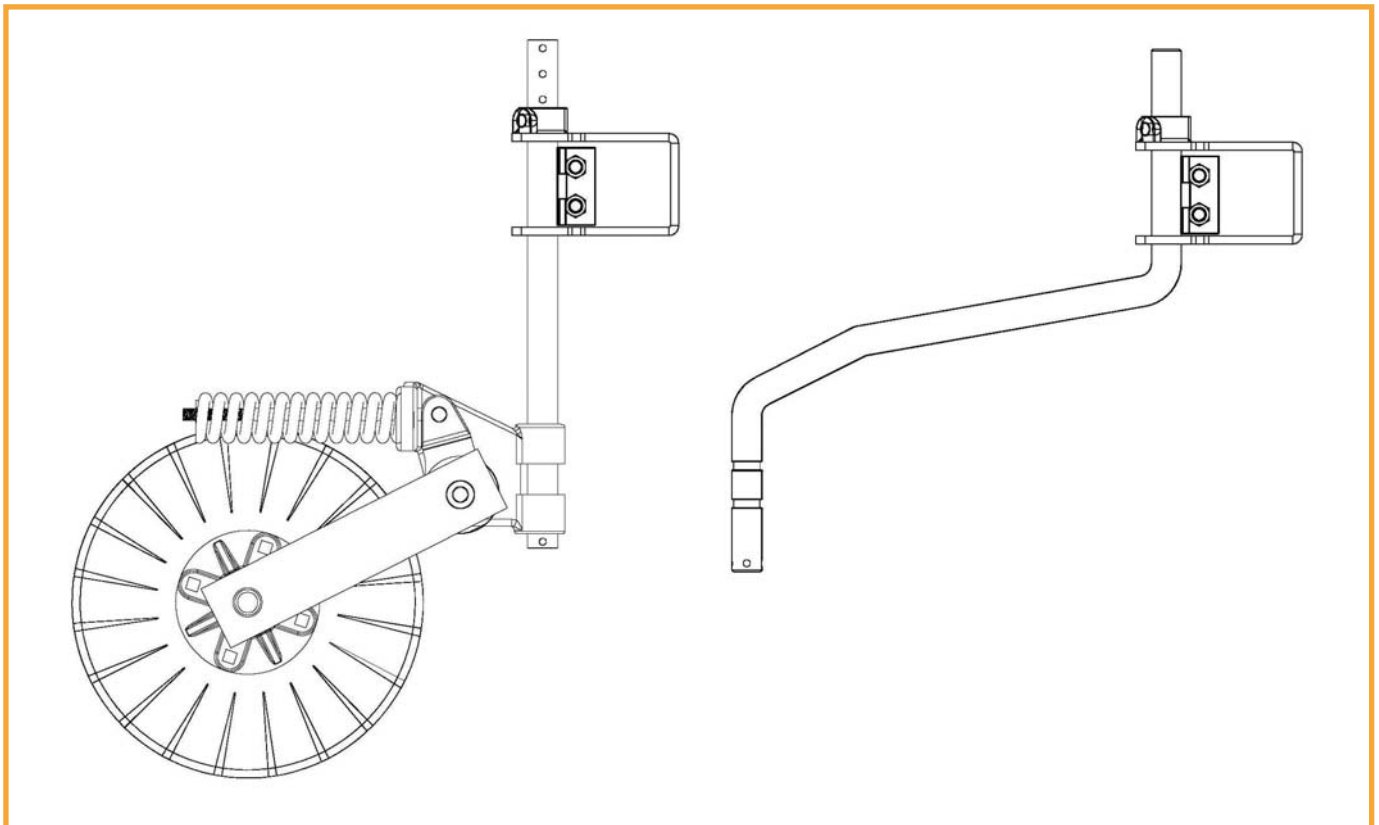




## Strong & Robust

The McCoy Coulter Assembly is a high quality spring loaded, free wheeling unit designed for ease of use in a variety of applications. The standard unit is available in both RH and LH configurations and suits a standard 4" x 4" toolbar. The standard unit is available with either a straight or curved leg to cater for a number of mounting options.



The McCoy Coulter Assembly is fitted standard with a Boron steel 17" x 4mm Radial disc. This patented disc gives the unit outstanding trash cutting abilities in the most diverse soil conditions with only a minimum vertical force required for penetration. The asymmetrical linear wave shape allows the disc to self sharpen during use with minimum soil disturbance in both wet and dry soil conditions.



A positive feature to be considered when assessing your requirements is the robust design of the McCoy Coulter Assembly. Trash cutting is a key feature of the designed strength of this unit resulting in optimum performance in the field.



For further information, contact:



**TOOWOOMBA**  
Cnr Buckland and Yaldwyn Streets  
Toowoomba Queensland 4350  
Phone: (07) 4636 9150  
Fax: (07) 4636 9170

**BENDIGO**  
Furness Street  
Kangaroo Flat Victoria 3555  
Toll Free - Phone: 1 800 087 871  
Toll Free - Fax: 1 800 087 971

Email: [info@gwtillage.com.au](mailto:info@gwtillage.com.au) Web: [www.gwtillage.com.au](http://www.gwtillage.com.au)