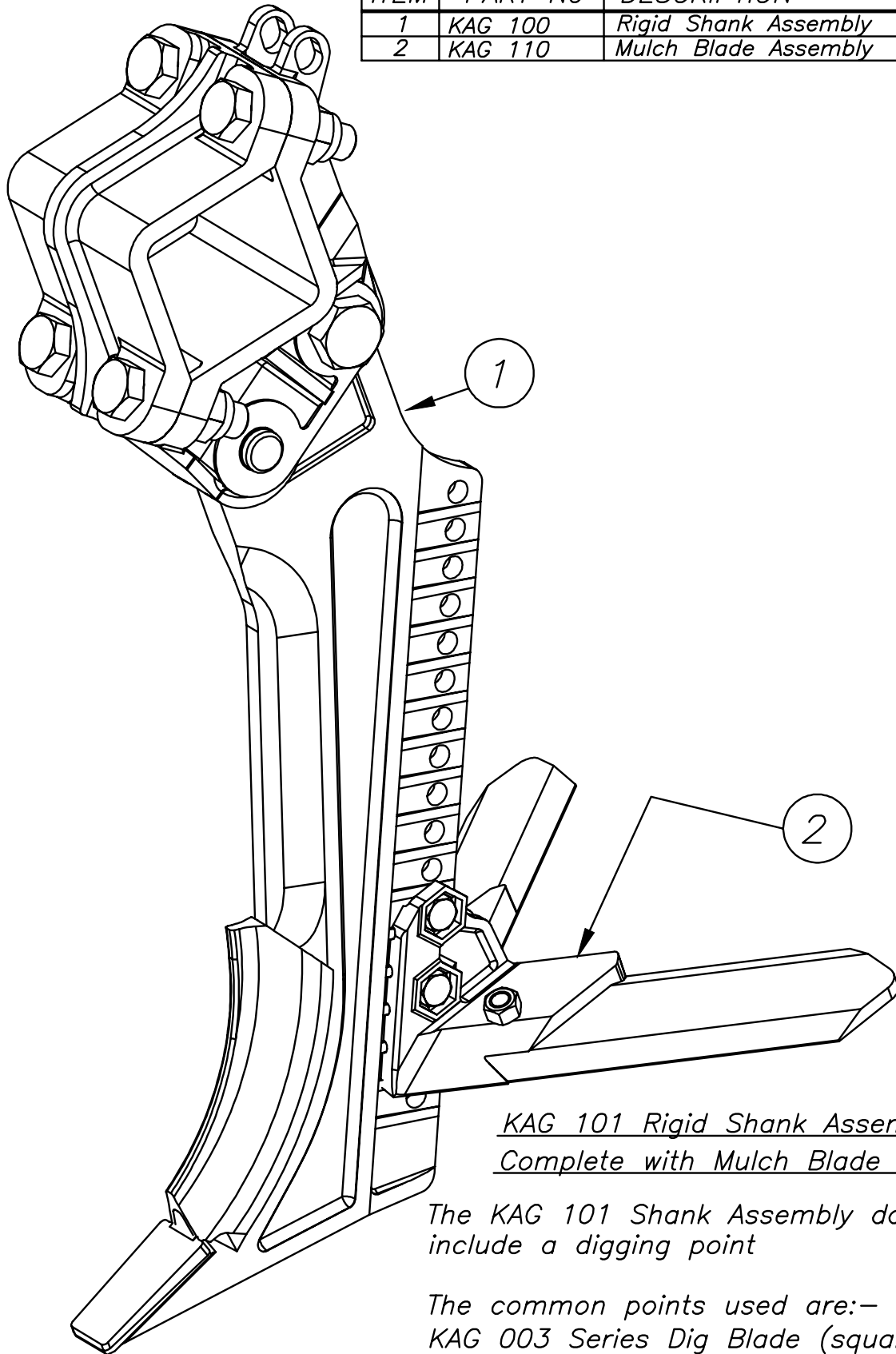


KEECH CASTINGS AUSTRALIA PTY LIMITED

ITEM	PART No	DESCRIPTION	QTY
1	KAG 100	Rigid Shank Assembly	1
2	KAG 110	Mulch Blade Assembly	1



KAG 101 Rigid Shank Assembly
Complete with Mulch Blade Assembly

The KAG 101 Shank Assembly does not include a digging point

The common points used are:-
 KAG 003 Series Dig Blade (square nose)
 KAG 003S Series Spear Blade
 KAG A03 Piggy Back Blade

DATA SHEET No. AG-019	AGRICULTURAL DIVISION		KAG 101 Shank Assembly with Mulch Assy
	DATE: 30/7/02	DRAWN: AEH	